

SPECIFICATIONS:

POWER RATING: 5 WATTS CONTINUOUS
(BI-DIRECTIONAL)

FREQUENCY RANGE AND VSWR:

DC TO 1 GHz AT 1.10:1 MAX.

1 GHz TO 4 GHz AT 1.25:1 MAX.

AMBIENT TEMPERATURE: -40° C TO +40° C

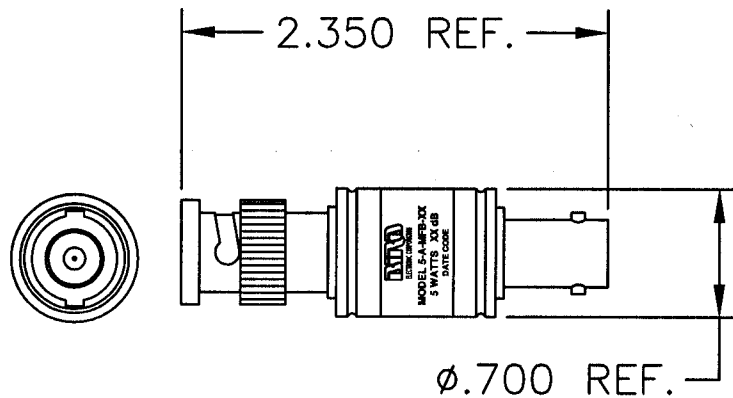
CONNECTORS: BNC MALE AND FEMALE
- TRI-ALLOY PLATED

OPERATING POSITION: ANY

NOMINAL SIZE: 2.35 L X .700 DIA.

WEIGHT: APPROX. 2.8 O.Z.

REVISIONS		DWG. NO.	5-A-MFB-XX		SHEET	REV
ZONE	REV	DESCRIPTION		DATE	APPROVED	
	A	CONVERT TO BEC FORMAT		DMR	11-12-02	<i>MBU</i>



XX = dB VALUE

-20	20	0.6	1.0
-10	10	0.4	0.8
-06	6	0.4	0.6
-03	3	0.3	0.5
-02	2	0.3	0.5
-01	1	0.3	0.5
DASH NO.	dB ATTEN.	DC - 1GHz ATTENUATOR	1 - 4GHz ACCURACY ±dB

DIMENSIONS HEREON ARE FOR CUSTOMER CONVENIENCE AND REFERENCE ONLY. TOLERANCE TO BE APPLIED ONLY WHERE INDIVIDUALLY STATED ON THE RESPECTIVE DIMENSION. -DO NOT SCALE DRAWING-

UNLESS OTHERWISE SPECIFIED DIMENSIONS ARE IN INCHES TOLERANCES ARE:

FRACTIONS DECIMALS ANGLES
± 1/64 .XX = ±.010 ± 30'
.XXX = ±.005

DO NOT SCALE DRAWING

MILLIMETERS

.X = ±.4
.XX = ±.12

THIS DRAWING IS THE PROPERTY OF THE BIRD ELECTRONIC CORPORATION. THE DESIGNS AND SPECIFICATIONS DISCLOSED HEREON ARE PROPRIETARY AND SHALL NOT BE REPRODUCED, NOR COPIED, NOR USED AS THE BASIS FOR THE MANUFACTURE OR SALE OF APPARATUS OR DEVICES WITHOUT THEIR EXPRESS WRITTEN CONSENT.



MATERIAL		APPROVALS		DATE	TITLE			
		DRAWN	DMD	11-2-02	ATTENUATOR, BNC MALE/FEMALE 5W, (1 THRU 20dB)			
		CHECKED			SIZE	FSCM NO.	DWG. NO.	REV
		APPROVED	<i>MARKV</i>	11-12-02	A	70998	5-A-MFB-XX	A
FINISH		SCALE		1:1	COMM CODE		AT1	SHEET
		AUTOCAD						1 OF 1